

# AUTODOME VG5-ITS720P-30X4 and VG5-ITS1080P-30X4 for Transportation Applications

www.boschsecurity.com



**BOSCH**

Invented for life



- ▶ Choice of HD model (720p50/60 or 1080p25/30), NTCIP-conformant, compass direction and absolute AZ/EL position readings
- ▶ Allows upload of a customer logo
- ▶ Intelligent Tracking and alarm rules engine with on-board Intelligent Video Analytics (IVA)
- ▶ Enhanced system flexibility with dual recording options (iSCSI, SD card) and dual power source options (High Power over Ethernet (High PoE) / 24 VAC)
- ▶ Fully configurable quad streaming with individually configurable streams, based on Bosch's Common Product Platform (CPP4)

The AUTODOME ITS Series is an easy-to-install, high-speed PTZ HD dome camera in a field-proven indoor/outdoor housing. The camera delivers unmatched picture quality and network performance day/night and has full built-in support for the NTCIP protocol used in transportation applications.

The camera provides complete network-based control of all dome functionality including pan/tilt/zoom operation, presets, tours and alarms as well as web-based configuration of all dome settings. It also provides direct network video streaming using H.264 compression / bandwidth throttling to efficiently manage bandwidth and storage requirements while delivering outstanding image quality.

The AUTODOME ITS Series conforms to the National Transportation Communications for ITS Protocol (NTCIP) specification. NTCIP conformance ensures that the AUTODOME camera integrates with transportation management devices.

## Functions

### High-performance PTZ day/night camera

The HD model has a large sensor area that contributes to high camera sensitivity. The camera can be configured to operate in 720p50/60 mode for capturing fast motion (for example, in traffic or gaming scenarios). The default 1080p25/30 mode delivers high-resolution images with six times more details than a standard definition (SD) camera.

The camera features Wide Dynamic Range (WDR) technology that allows for the capture of clear image reproduction from both bright and dark areas in the same frame. WDR ensures that bright areas are not saturated and that dark areas are not too dark. Day/night capabilities and outstanding sensitivity make the IP model an exceptional performer in all lighting conditions. In low light, the camera switches automatically from color to monochrome by removing

the IR filter to boost the infrared illumination sensitivity while maintaining superior image quality. For operation in the darkest conditions, the SensUp control feature automatically reduces the shutter speed to as little as one second. This increases sensitivity by more than 50 times.

#### Progressive scan

The camera is ideally suited for IP imaging applications. The progressive scan technology in the camera provides smooth and clear images when viewing images from the camera.

#### Sodium vapor lamp white balance

The camera is an exceptional performer when capturing video under a sodium vapor lamp (a street lamp or tunnel lamp, for example). Images under these conditions may have a yellowish tint, which can make identification difficult. In the Sodium Vapor White Balance mode, the camera automatically compensates for the light from a sodium vapor lamp to restore objects to their original color.

#### Intelligence

With built-in Intelligent Video Analysis (IVA), the camera reinforces the concept of Intelligence at the Edge. IVA is Bosch's state-of-the-art intelligent video content analysis technology. With IVA, the camera reliably detects and analyzes moving objects while suppressing unwanted alarms from spurious sources in the image. IVA also allows the camera to detect multiple object behaviors including idle and removed objects, loitering, multiple line crossing, and trajectories. IVA supports BEV (Bird's-Eye-View) People Counter and Assisted Self-Calibration. Configurable detection filters improve reliability and reduce operator work load.

#### Intelligent Tracking

The camera utilizes the built-in Intelligent Video Analytics (IVA) to follow an individual or an object continuously. Objects detected by IVA in a stationary position activate the Intelligent Tracking feature, which controls the pan/tilt/zoom actions of the camera to keep the tracked object in the scene. The new tracking feature is based on robust flow detection algorithms which can reliably track moving objects even under challenging scenes. The tracking and detection reliability can be enhanced further with virtual masking for scenes with a lot of background "noise" such as trees or other objects creating constant motion in the scene. The camera supports three modes for Intelligent Tracking.

- **Auto mode:** When configured in this mode, the camera actively analyzes the video to detect any moving object. If it detects movement, it begins to track the object. This mode is most useful for scenarios where no motion is expected in the scene.

- **Click mode:** In this mode, users can click an object moving in the live video image to enable the camera to track the movement of the selected object. This mode is most useful for scenarios where normal scene activity is expected.
- **IVA-triggered mode:** In this mode, the camera continuously analyzes the scene for IVA alarms or IVA rule violations. If an IVA rule is violated, it triggers the advanced tracking feature of the camera to start following the object / person that triggered the alarm. This unique combination of robust IVA and Intelligent Tracking allows the camera to track moving objects of interest without getting distracted by other moving objects in the scene.

#### PTZ drive and mechanism

The camera supports 256 pre-positions and two styles of Guard Tours: Preset and Record/Playback. Users can configure the preset standard tour with as many as 256 sequential pre-positions, with a configurable dwell time between pre-positions. The camera also provides support for two recorded tours, which are recorded macros of an operator's movements, including pan, tilt, and zoom activities, and can be played back with the click of a button.

Pan and tilt preset repeatability are accurate to within  $\pm 0.1$  degrees to ensure that the correct scene is captured every time. The camera delivers variable pan/tilt speeds from a crawl speed of only 0.1 degrees per second to a full 400 degrees per second. The camera is capable of pan speeds of 400 degrees per second and tilt speeds of 300 degrees per second between prepositions. The camera provides a tilt angle 18 degrees above the horizon, and a pan range of up to 360 degrees continuous rotation.

The AutoScaling (proportional zoom) and AutoPivot (automatically rotates and flips the camera) features ensure optimal control.

Five pre-programmed but configurable user modes, optimized with the best settings for a variety of typical applications, make on-site programming easy and user-friendly. Users select from the menu the mode that best defines the environment in which the camera is installed:

- Outdoor – General day-to-night changes with sun highlights and street lighting
- Indoor – Ideal mode for indoor applications where lighting is constant and not changing
- Low light – Optimized for sufficient details at low light
- Motion – Monitoring traffic or fast moving objects; motion artifacts are minimized
- Vibrant – Enhanced contrast color reproduction and sharpness

Users have the ability to customize these modes, if necessary, for the specific requirements of the site.

**Superior privacy masking**

The camera provides 24 individual, easy to configure privacy masks, with up to 8 displayed in the same scene. As the camera is zoomed, each mask changes size smoothly and quickly, ensuring that the covered object cannot be seen in most cases.

**Comprehensive streaming capabilities on Bosch's Common Product Platform (CCP4)**

The camera has an advanced, efficient H.264 encoder (CPP4) embedded for high-quality streaming video and very efficient streaming and network capabilities.

The new platform supports simultaneous streaming of individually configurable streams [SD (H.264 and M-JPEG) or HD] and allows a choice of resolution [SD, or HD in combination of SD resolutions].

**Recording and storage management**

A memory card (SD (Secure Digital), SDHC (Secure Digital High Capacity), or SDXC (Secure Digital eXtended Capacity)) can be used for local alarm recording or for scheduled local recording to improve the overall recording reliability. Recording management can be controlled by the Bosch Video Recording Manager (VRM), or the camera can use iSCSI targets directly without any recording software. The camera offers Quality of Service (QoS) configuration options to ensure fast network response to PTZ data and images. Quality of Service (QoS) is the set of techniques to manage network resources. QoS manages the delay, delay variation (jitter), bandwidth, and packet loss parameters to guarantee the ability of a network to deliver predictable results. QoS identifies the type of data in a data packet and divides the packets into traffic classes that can be prioritized for forwarding.

**Dual power options**

The HD model can be powered by a High Power-over-Ethernet (Bosch High PoE)-compliant network using a Bosch High PoE Midspan (sold separately) over a single network cable and/or a 24VAC power supply. The Midspan is required to operate the heater inside the camera. See the Midspan datasheet for additional details.

When powered using High PoE or PoE+ (IEEE 802.3at class 4) configuration, only a single cable connection is required to power and to control the camera while also viewing images from the camera. For additional system reliability, users also have the option to connect the 24 VAC power supply to the camera while using High PoE.

**Ease of installation and servicing**

The camera has been designed for quick and easy installation; a key feature from Bosch CCTV products. All housings feature recessed screws and latches for increased tamper resistance.

Indoor/outdoor pendant housings are rated to provide IP66 protection and offer an operating temperature range down to -40 °C (-40 °F). The indoor/outdoor pendant comes fully assembled with a sunshield and

ready for wall or pipe applications with the proper mounting hardware (sold separately). You can easily convert the outdoor pendant for indoor applications by removing the sunshield.

Bosch offers a full complement of hardware and accessories (sold separately) for wall, corner, mast, roof, and pipe mounts for indoor and outdoor environments, which allow the camera to be adapted easily to individual site requirements.

**Video management system support**

The camera ships with Bosch Video Client (BVC), an easy-to-use software from Bosch that is suitable for midsize installations. For large enterprise systems, AUTODOME cameras can be used with Bosch Video Management System (BVMS), which allows enhanced video management and viewing capabilities.

In addition, the camera is supported/integrated into all of the leading third party video management systems.

**ONVIF conformant**

The AUTODOME Series conforms to the ONVIF Profile S specification allowing easy integration with the conformant devices and VMS.

For more information about ONVIF, visit [www.onvif.org](http://www.onvif.org).

The camera conforms to the ONVIF (Open Network Video Interface Forum) specification which guarantees interoperability between network video products regardless of manufacturer. ONVIF conformant devices are able to exchange live video, audio, metadata and control information. They are automatically discovered and connected to network applications such as video management systems.

**Fiber Optic Kit**

Bosch offers the optional VG4-SFPSCKT, a unique media converter module for use with various Bosch devices. This media converter module is designed to accept a wide-range of 10/100 Mbps SFP modules for use with Multimode or Single-mode optical fiber with LC or SC connectors.

The media converter module along with the SFP module is user-installed directly into the camera's power supply box to provide an integrated fiber optic solution.

As with all Bosch products, the camera is designed using the industry's best design process and is subjected to the most stringent testing standards such as HALT (highly accelerated life testing), which pushes the limits of products to ensure reliability throughout their lifetime.

**Access security**

Various security levels are available for accessing the network, the camera, and the data channels. As well as password protection with three levels, 802.1x authentication using a RADIUS (Remote Authentication Dial In User Service) server is supported. To secure Web browser access, use HTTPS with a SSL certificate stored in the camera. For total data protection, the

video and audio communication channels can be independently AES encrypted with 128-bit keys by installing the optional encryption site license.

**Easy upgrade**

Remotely upgrade the camera whenever new firmware becomes available. This ensures up-to-date products, thus protecting investment with little effort.

**Certifications and approvals**

**HD standards**

- Complies with the SMPTE 274M-2008 Standard in:
  - Resolution: 1920x1080
  - Scan: Progressive
  - Color representation: complies with ITU-R BT.709
  - Aspect ratio: 16:9
  - Frame rate: 25 and 30 frames/s
- Complies with the 296M-2001 Standard in:
  - Resolution: 1280x720
  - Scan: Progressive
  - Color representation: complies with ITU-R BT.709
  - Aspect ratio: 16:9
  - Frame rate: 25, 30, 50 and 60 frames/s

Electromagnetic Compatibility (EMC)	Complies with FCC Part 15, ICES-003, and CE regulations, including latest versions of EN 50130-4, EN 55022:2006 inc. AL:2007, EN 61000-3-3, EN 61000-6-1, EN 61000-6-2, and EN 50121-4 (Railway applications)
Product Safety	Complies with UL, CE, CSA, EN, and IEC Standards 60950-1 & 22
Environmental	IP66, NEMA 4X
ONVIF Conformance	EN 50132-5-2
NEMA TS 2-2003	Complies with: Section 2.2.7: Transients, Temperature, Voltage and Humidity tests Section 2.2.8: Vibration test Section 2.2.9: Shock test



**Notice**

Conformity to EN 50130-4  
One of the following power supply units is required to conform to the EN 50130-4 standard: VG4-A-PSU0, VG4-A-PSU1, VG4-A-PSU2, VG4-A-PA0, VG4-A-PA1, or VG4-A-PA2.

**Parts included**

1	AUTODOME ITS series pendant camera (IP or HD model) with clear acrylic bubble and sunshield
1	Product DVD with operation manual and Bosch Video Client (BVC) software
1	Packet of printed Safety literature

**Notes:**

- The pendant can be converted to an indoor pendant by removing the sunshield.
- Mounting hardware and accessories are available separately.

**Technical specifications**

**VG5-ITS720P-30X4**

Imager	1/3-type Exmor CMOS sensor
Effective Picture Elements (Pixels)	1305 x 1049 (1.37 MP)
Lens	30x Zoom 4.3 mm to 129 mm F1.6 to F4.7
Field of View (FOV)	2.1° to 59°
Focus	<i>Automatic with manual override</i>
Iris	<i>Automatic with manual override</i>
Digital Zoom	12x

Sensitivity / Minimum Illumination (typical)	30 IRE	50 IRE
<b>Day Mode (Color)</b>		
Fixed shutter 1/30, High Sensitivity mode On	0.052 lux	0.166 lux
Fixed shutter 1/30, High Sensitivity mode Off	0.26 lux	0.66 lux
SensUp On (max. ¼), High Sensitivity mode On	0.0082 lux	0.033 lux
<b>Night Mode (Black and white)</b>		
Fixed shutter 1/30, High Sensitivity mode On	0.0103 lux	0.041 lux
Fixed shutter 1/4, High Sensitivity mode On	0.00129 lux	---
SensUp On (max. ¼), High Sensitivity mode On	0.00065 lux	0.00205 lux

**SH-VG5-ITS1080P-30X4**

Imager	1/2.8-type Exmor CMOS sensor
Effective Picture Elements (Pixels)	1944 x 1224 (2.38 MP)
Lens	30x Zoom 4.3 mm to 129 mm F1.6 to F4.7
Field of View (FOV)	2.3° to 65°
Focus	<i>Automatic with manual override</i>
Iris	<i>Automatic with manual override</i>
Digital Zoom	12x

Sensitivity / Minimum Illumination (typical)	30 IRE	50 IRE
<b>Day Mode (Color)</b>		
Fixed shutter 1/30, High Sensitivity mode On	0.066 lux	0.209 lux
Fixed shutter 1/30, High Sensitivity mode Off	0.26 lux	0.83 lux
Fixed shutter ¼, High Sensitivity mode On	---	0.026 lux
Fixed shutter ¼, High Sensitivity mode Off	---	0.104 lux
SensUp On, High Sensitivity mode On	0.0103 lux	0.033 lux
SensUp On, High Sensitivity mode Off	0.041 lux	0.104 lux
<b>Night Mode (Black and white)</b>		
Fixed shutter 1/30, High Sensitivity mode On	0.033 lux	0.104 lux
Fixed shutter ¼, High Sensitivity mode On	0.0026 lux	---
SensUp On, High Sensitivity mode On	0.00129 lux	0.0041 lux

**Additional Camera Settings**

Gain Control	Auto/Manual/Max
Aperture Correction	Horizontal and vertical
Electronic Shutter Speed (AES)	1/1 sec to 1/10000 sec (22 steps)
Dynamic Range	90 dB typical
Signal-to-Noise Ratio (SNR)	>50 dB
Backlight Compensation (BLC)	On/Off
White Balance	2000 K to 10,000 K ATW, AWB Hold, Extended ATW, Manual, Sodium Lamp Auto, Sodium Lamp
Day/Night	Monochrome, Color, Auto
Defog mode feature	Improves visibility when viewing foggy or other low-contrast scenes.

**Mechanical**

Pan Range	360° cont.
Tilt Angle	18° above horizon
Pre-position Speed	Pan: 400°/s Tilt: 300°/s
Pan/Tilt Modes	
<ul style="list-style-type: none"> <li>Turbo Mode (Manual Control)</li> </ul>	Pan: 0.1°/s – 400°/s Tilt: 0.1°/s – 300°/s

• Normal Mode	0.1°/s-120°/s
Preset Accuracy	± 0.1° typ.

**Electrical**

Input Voltage	21-30 VAC, 50/60 Hz; (class II) High PoE (with Bosch NPD-6001A Midspan)
Power Consumption, typical	60 W / 69 VA (heaters on) or 24 W / 44 VA (heaters off) <sup>5</sup>

**Surge Suppression**

Protection on Alarm Inputs	Peak current 17 A, peak power 300 W (8/20 µs)
Protection on Alarm Outputs	Peak current 2 A, peak power 300 W (8/20 µs)
Protection on Relay Output	Peak current 7.3 A, peak power 600 W (10/1000 µs)
Protection on Power Input (Dome)	Peak current 7.3 A, peak power 600 W (10/1000 µs)
Protection on Power Output (Arm Power Supply)	Peak current 21.4 A, peak power 1500 W (10/1000 µs)
10/100 Ethernet Data Lines	Peak current 14 A, peak power 200 W (8/20 µs)

**Software Control**

Camera Setup/Control	Via web browser (such as Internet Explorer version 7.0 or later), Bosch Configuration Manager, Bosch Video Management System (BVMS), Bosch Recording Station (BRS), or Bosch Video Client (BVC)
Software Update	Network firmware upload

**Network**

HD model:

Video compression	H.264 (ISO/IEC 14496-10), M-JPEG
-------------------	----------------------------------

**Encoding / Streaming**

	H.264		MJPEG	
	Scenario			
	Stream 1	Stream 2	Stream 3	Stream 4
1	Full HD 1080p30	Full HD 1080p5	I-frame only from Stream 1	1080p
2	Full HD 1080p30	HD 720p10	I-frame only from Stream 1	1080p
3	Full HD 1080p30	Downscaled stream	I-frame only from Stream 1	1080p

4	Full HD 1080p30	Copy of Stream 1	I-frame only from Stream 1	1080p
5	HD 720p60	HD 720p8	I-frame only from Stream 1	720p
6	HD 720p30	HD 720p30	I-frame only from Stream 1	720p
7	HD 720p30	Downscaled stream	I-frame only from Stream 1	720p
8	Downscaled stream	Downscaled stream	I-frame only from Stream 1	1080p

**Resolutions (H x V)<sup>1</sup>**

**HD Resolutions**

• 1080p HD	1920 x 1080
• 720p HD	1280 x 720

**Down-scaled SD streams**

• 432p SD	768 x 432
• 288p SD	512 x 288
• 144p SD	256 x 144
• Corridor mode	400 x 720
• D1 4:3 cropped	704 x 480

**Both models:**

Protocols	IPv4, IPv6, UDP, TCP, HTTP, HTTPS, RTP/RTCP, IGMP V2/V3, ICMP, ICMPv6, RTSP, FTP, Telnet, ARP, DHCP, SNTP, SNMP (v1, MIB-II), 802.1x, DNS, DNSv6, DDNS (DynDNS.org, selftHOST.de, no-ip.com), SMTP, iSCSI, UPnP (SSDP), DiffServ (QoS), LLDP, SOAP, Dropbox, CHAP, digest authentication
-----------	--

**NTCIP Protocols**

CCTV Camera Control	NTCIP 1205
Application Layer	SNMP per NTCIP 1101:1996 & NTCIP 2301
Transport/Network Layers	TCP/IP per NTCIP 2202:2001
Sub-network Layer	PMPP (Point to Multi-Point Protocol) per NTCIP 2101:2001 & NTCIP 2102:2003
Advanced Networking	IPv6, QoS
Ethernet	10-Base T/100 Base-TX, auto-sensing, half/full duplex, RJ45

Encryption	TLS 1.0, SSL, DES, 3DES, AES
GOP Structure	IP, IBP, IBBP
Data Rate	9.6 kbps to 6 Mbps
Overall IP Delay	240 ms
Signal-to-Noise	>50 dB

**Audio**

- Standard	G.711, 8 kHz sampling rate L16, 16 kHz sampling rate AAC, 16 kHz sampling rate
- Signal-to-Noise Ratio	>50 dB
- Audio Streaming	Bidirectional (full-duplex)

**Local Storage**

Memory Card Slot	User-supplied SD/SDHC/SDXC memory card (maximum 2TB – SDXC)
Recording	Continuous recording of video and audio, alarm/events/schedule recording

**Fiber Optic Kit**

**VG4-SFPCKT**

Description	Fiber Optic Ethernet Media Converter kit <sup>5</sup> . Requires a small form-factor pluggable (SFP) module (sold separately).
Data Interface	Ethernet
Data Rate	10/100 Mbps IEEE 802.3 Compliant Full Duplex or Half Duplex Electrical Port Full Duplex Optical Port
Compatible Receiver	CNFE2MC
Installation	Installed inside a VG4-A-PA0, VG4-A-PA1, VG4-A-PA2, VG4-A-PSU1, or a VG4-A-PSU2 power supply box with supplied mounting hardware

<sup>5</sup>. Kit available separately and must be installed inside the AUTODOME power supply box.

**SFP Modules**

Description	Interchangeable modules available for use with MMF or SMF optical fiber.
Data Interface	Ethernet
Data Rate	10/100 Mbps IEEE 802.3 Compliant

**Mechanical**

**Dimensions (LxWxH)**

• SFP-2 and SFP-3	55.5 x 13.5 x 8.5 mm (2.2 x 0.5 x 0.3 in.)
• SFP-25, SFP-26	63.8 x 13.5 x 8.5 mm (2.5 x 0.5 x 0.3 in.)

Weight (all SFP modules)	0.23 kg (.05 lb)			
	Type	Connector	Wavelength (transmit / receive)	Max. Distance
SFP-2	MMF	Duplex LC	1310 nm / 1310 nm	2 km (1.2 miles)
SFP-3	SMF	Duplex LC	1310 nm / 1310 nm	20 km (12.4 miles)
SFP-25	MMF	Single SC	1310 nm / 1550 nm	2 km (1.2 miles)
SFP-26	MMF	Single SC	1550 nm / 1310 nm	2 km (1.2 miles)

#### Fiber Compatibility

Optical Fiber Compatibility, MMF	50/125 µm MMF. For 50/125 µm fiber, subtract 4 dB from the specified optical budget value. Must meet or exceed fiber standard ITU-T G.651.
Optical Fiber Compatibility, SMF	8–10/125 µm SMF. Must meet or exceed fiber standard ITU-T G.652.
Optical Distance Specifications	Specified transmission distances are limited to the optical loss of the fiber and any additional loss introduced by connectors, splices, and patch panels. The modules are designed to operate over the entire optical loss budget range, so they do not require a minimum loss in order to operate.

#### Miscellaneous

Sectors/Titling	16 independent sectors with a 20-character title/sector
Masking	24 individually configurable privacy masks
Pre-positions	256, each with a 20-character title
Guard Tours	Two (2) types of tours: <ul style="list-style-type: none"> <li>Recorded tours – two (2)</li> <li>Preset tour – one (1), consisting of up to 256 scenes, consecutively</li> </ul>
Supported Languages	English, Chinese, Dutch, French, German, Italian, Japanese, Polish, Portuguese, and Spanish
Protocol Support	Bosch (OSRD), ONVIF, NTCIP
Compass Direction	8 direction points, on/off
Absolute Position	Displays in 0-359° AZ and +17° to -95° EL, on/off
Custom logo	File format: .bmp; 8 bit (256 colors), 128x128 pixels maximum

Camera titles	Twenty-character, two-line and three-line camera titles (on the OSD), with configurable text colors, that display either the options for Azimuth/Elevation/Compass/Zoom, or the camera title and compass data
---------------	---

#### User Connections

Power, Camera	RJ-45 10/100 Base-TX Ethernet (High Power-over-Ethernet (High PoE)) or PoE+ (IEEE 802.3at, class 4 standard) 21-30 VAC, 50/60 Hz
Power, Heater	RJ-45 10/100 Base-TX Ethernet (High Power-over-Ethernet (High PoE)) 21-30 VAC, 50/60 Hz
Video and Control	RJ-45 10/100 Base-TX Ethernet
Alarm Inputs (7)	2 supervised; 5 non-supervised Programmable for "normally open" or "normally closed"
Alarm Outputs (4)	1 dry contact relay; 3 open collector/transistor outputs 32 VDC @ 150 ma max.
Audio	1 x mono line in, 1 x mono line out <ul style="list-style-type: none"> <li>Signal line in 12 kOhm typical, 1 Vrms max</li> <li>Signal line out 1 Vrms at 1.5 kOhm, typical</li> </ul>

#### Environmental

Ingress Protection Rating/Standard	IP66 <sup>7</sup>
NEMA 4X	<ul style="list-style-type: none"> <li>Access to Hazardous parts</li> <li>Ingress of solid foreign objects (falling dirt, circulating dust, settling dust)</li> <li>Ingress of water (dripping and light splashing, hosedown and splashing)</li> <li>Corrosive agents</li> </ul>
Operating Temperature	-40 °C to +55 °C (-40 °F to +131 °F) or -10 °C to +55 °C (+14 °F to +131 °F) <sup>6</sup>  Compliant to -34 °C to +74 °C (-30 °F to +165 °F) based on NEMA TS-2 Section 2.2.7.
Storage Temp.	-40°C to 60°C (-40°F to 140°F)
Humidity	0% to 100% relative, condensing

#### Construction

Dimensions	See dimensional drawings
Weight	3.06 kg (6.75 lb)
Bubble Size	153.1 mm diameter (6.03 in.)
Construction Material	

• Housing	Cast aluminum
• Bubble	Pendant: High-resolution acrylic or rugged polycarbonate
Standard Color	White (RAL 9003)
Standard Finish	Powder coated, sand finish

**Mounts/Accessories**

**Bubbles**

Clear high-resolution acrylic (Included with pendant camera models.)	VGA-BUBBLE-PCLA
---	-----------------

**Note:** Polycarbonate bubbles are not recommended for use with HD products because of optical degradation.

**Pendant Arm Mounts**

Wall Arm (No Transformer)	VG4-A-PA0
Wall Arm (120/230 VAC Transformer)	VG4-A-PA1 / VG4-A-PA2
Pendant Arm with Wiring	VGA-PEND-ARM
Mounting plate for VGA-PEND-ARM	VGA-PEND-WPLATE
Trim skirt for VG4 Series Power Supplies	VG4-A-TSKIRT

**Optional Mounting Plates for Arm Mounts**

Corner Mounting Plate	VG4-A-9542
Mast (Pole) Mounting Plate	VG4-A-9541

**Pendant Pipe Mounts**

Pipe Mount Cap	VG4-A-9543
----------------	------------

**Pendant Roof Mounts**

Roof (Parapet) Mount (VG4-A-9543 Pipe Mount Cap required. Available separately.)	VGA-ROOF-MOUNT
---	----------------

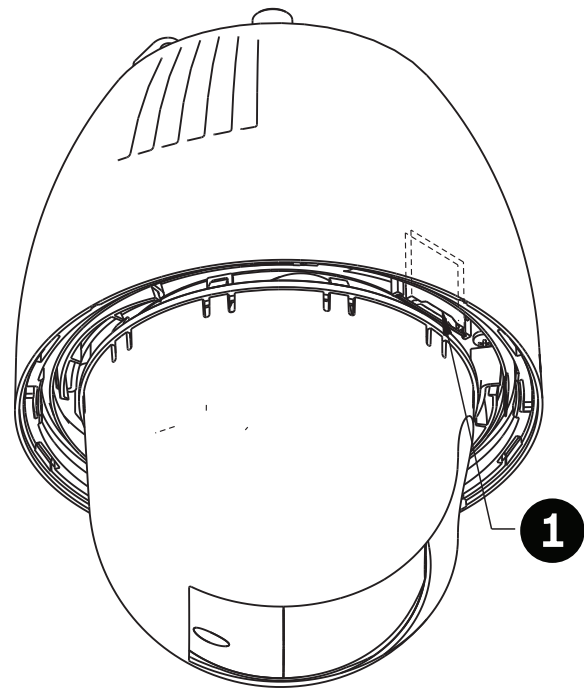
**Optional Mounting Plates for Roof Mounts**

Flat Roof Adapter for Parapet Mount	LTC 9230/01
-------------------------------------	-------------

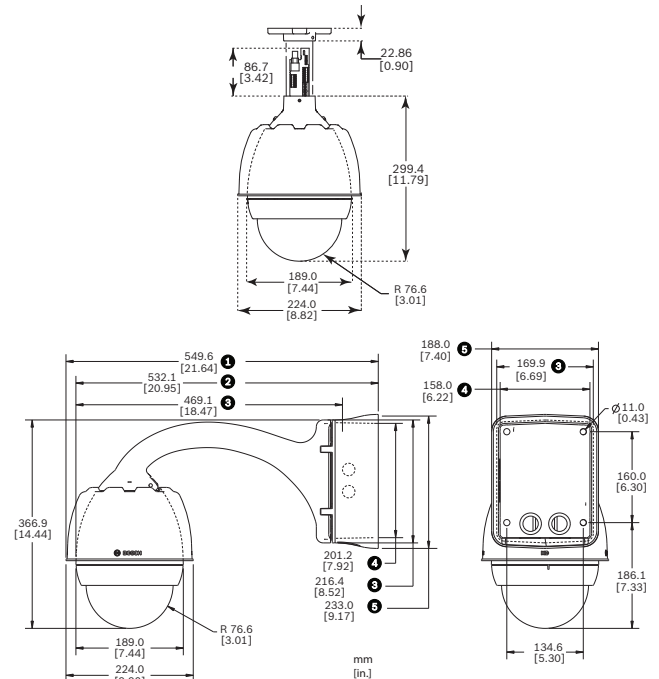
**Power Supplies**

High PoE Midspan 60W, single port, AC in	NPD-6001A
Outdoor Power Supply Box, no transformer	VG4-A-PSU0
Outdoor Power Supply Box (120/230 VAC Transformer)	VG4-A-PSU1 / VG4-A-PSU2
Fiber Optic Kit	VG4-SFPCKT

**Dimensional Drawings**



SD card slot (1)



Dimensions - Pendant, Pipe mounts

- |                                  |                    |
|----------------------------------|--------------------|
| 1 Power supply box and sunshield | 4 Power supply box |
| 2 Sunshield removed              | 5 Trim skirt       |
| 3 Mounting plate                 | 6                  |



**Ordering information****VG5-ITS720P-30X4 AUTODOME ITS IP starlight 7000 HD**

Superb quality indoor/outdoor IP PTZ dome camera ITS Series. 720p HD resolution; 30x optical zoom; IVA; PoE; iSCSI/SD; multiple pre-programmed user modes; H.264 quad-streaming (CPP4); IP66; pendant mount, clear bubble

Order number **VG5-ITS720P-30X4**

**VG5-ITS1080P-30X4 AUTODOME ITS IP dynamic 7000 HD**

Superb quality indoor/outdoor IP PTZ dome camera ITS Series. 1080p HD resolution; 30x optical zoom; IVA; PoE; iSCSI/SD; multiple pre-programmed user modes; H.264 quad-streaming (CPP4); IP66; pendant mount, clear bubble

Order number **VG5-ITS1080P-30X4**

**Accessories****High PoE Midspan, 60 W, single port, AC in**

High Power, 60 W Single Port PoE Midspan with AC in

Order number **NPD-6001A**

**VG4-A-PA0 Pendant Arm Mount**

Pendant arm mount with power supply box for an AUTODOME Series camera, no transformer, white

Order number **VG4-A-PA0**

**VG4-A-PA1 Pendant Arm Mount with 120 VAC Transformer**

Pendant arm mount with power supply box for an AUTODOME Series camera with a 120 VAC transformer, white

Order number **VG4-A-PA1**

**VG4-SFPSCKT Fiber Optic Ethernet Media Converter Kit**

Ethernet media converter video transmitter/data receiver fiber optic kit

Order number **VG4-SFPSCKT**

**SFP-2 Small Form-factor Pluggable Optical Interface**

SFP Fiber Optic Module, Multi-mode, 1310 nm, 2 km (1.2 miles), 2 LC connectors

Order number **SFP-2**

**SFP-3 Small Form-factor Pluggable Optical Interface**

SFP Fiber Optic Module, Single-mode, 1310 nm, 20 km (12.4 miles), 2 LC connectors

Order number **SFP-3**

**SFP-25 Small Form-factor Pluggable Optical Interface**

SFP Fiber Optic Module, Multi-mode, 1310/1550 nm, 2 km (1.2 miles), 1 SC connector

Order number **SFP-25**

**SFP-26 Small Form-factor Pluggable Optical Interface**

SFP Fiber Optic Module, Multi-mode, 1550/1310 nm, 2 km (1.2 miles), 1 SC connector

Order number **SFP-26**

**VG4-A-PA2 Pendant Arm Mount with 230 VAC Transformer**

Pendant arm mount with power supply box for an AUTODOME Series camera with a 230 VAC transformer, white

Order number **VG4-A-PA2**

**VGA-PEND-ARM Pendant Arm with Wiring**

Compatible with an AutoDome Series pendant housing

Order number **VGA-PEND-ARM**

**VGA-PEND-WPLATE Mounting Plate**

Mounting plate for VGA-PEND-ARM, compatible with an AutoDome Series camera

Order number **VGA-PEND-WPLATE**

**VGA-ROOF-MOUNT Roof Mount**

Roof parapet mount, white (VG4-A-9543 Pipe Mount Cap required. Available separately.)

Order number **VGA-ROOF-MOUNT**

**LTC 9230/01 Flat Roof Mount Adapter**

For mounting a unit in an upright position on a flat surface for roof parapet mount VGA-ROOF-MOUNT

Order number **LTC 9230/01**

**VG4-A-9541 Pole Mount Adapter**

Pole mount adapter for an AUTODOME pendant arm or a DINION imager, designed for poles with a diameter of 100-380 mm (4-15 in.), white

Order number **VG4-A-9541**

**VG4-A-9542 Corner Mount Adapter**

Corner mount adapter for an AUTODOME pendant arm or a DINION imager

Order number **VG4-A-9542**

**VG4-A-9543 Pipe Mount**

Pipe mount, white, for an AutoDome Series pendant housing

Order number **VG4-A-9543**

**VG4-A-PSU0 24 VAC Power Supply Unit**

Power supply, 24 VAC input, for a PTZ camera in the AUTODOME Series. White, aluminum enclosure with cover, rated IP66 and IK 08. 100 W output. Optional trim skirt (sold separately).

Order number **VG4-A-PSU0**

**VG4-A-PSU1 120 VAC Power Supply Unit**

Power supply with transformer, 120 VAC input, for an AUTODOME or MIC7000 Series PTZ camera. White, aluminum enclosure with cover, rated IP66 and IK 08. 100 W output. Optional trim skirt (sold separately).

Order number **VG4-A-PSU1**

**VG4-A-PSU2 230 VAC Power Supply Unit**

Power supply with transformer, 230 VAC input, for an AUTODOME or MIC7000 Series PTZ camera. White, aluminum enclosure with cover, rated IP66 and IK 08. 100 W output. Optional trim skirt (sold separately). Order number **VG4-A-PSU2**

**VGA-SBOX-COVER Cover for AutoDome Power Supply Boxes**

Order number **VGA-SBOX-COVER**

**VG4-A-TSKIRT Trim Skirt for AutoDome Power Supply Boxes**

Trim skirt for the following AutoDome Series power supply boxes:  
VG4-A-PSU0, VG4-A-PSU1, and VG4-A-PSU2  
Order number **VG4-A-TSKIRT**

**VGA-BUBBLE-PCLA Clear High-resolution Bubble for a Pendant Housing**

Low-impact acrylic bubble  
Order number **VGA-BUBBLE-PCLA**

**VGA-BUBBLE-PTIA Tinted High-resolution Bubble for a Pendant Housing**

Low-impact acrylic bubble  
Order number **VGA-BUBBLE-PTIA**

**VGA-BUBHD-CCLA Clear HD High-Resolution Acrylic Bubble for In-Ceiling AUTODOME cameras**

Order number **VGA-BUBHD-CCLA**

**VGA-BUBHD-CTIA Tinted HD High-Resolution Acrylic Bubble for In-Ceiling AUTODOME cameras**

Order number **VGA-BUBHD-CTIA**

**Represented by:**

**Americas:**

Bosch Security Systems, Inc.  
130 Perinton Parkway  
Fairport, New York, 14450, USA  
Phone: +1 800 289 0096  
Fax: +1 585 223 9180  
security.sales@us.bosch.com  
www.boschsecurity.us

**Europe, Middle East, Africa:**

Bosch Security Systems B.V.  
P.O. Box 80002  
5617 BA Eindhoven, The Netherlands  
Phone: + 31 40 2577 284  
Fax: +31 40 2577 330  
emea.securitysystems@bosch.com  
www.boschsecurity.com

**Asia-Pacific:**

Robert Bosch (SEA) Pte Ltd, Security Systems  
11 Bishan Street 21  
Singapore 573943  
Phone: +65 6571 2808  
Fax: +65 6571 2699  
apr.securitysystems@bosch.com  
www.boschsecurity.asia

**China:**

Bosch (Shanghai) Security Systems Ltd.  
203 Building, No. 333 Fuquan Road  
North IBP  
Changning District, Shanghai  
200335 China  
Phone +86 21 22181111  
Fax: +86 21 22182398  
www.boschsecurity.com.cn

**America Latina:**

Robert Bosch Ltda Security Systems Division  
Via Anhanguera, Km 98  
CEP 13065-900  
Campinas, Sao Paulo, Brazil  
Phone: +55 19 2103 2860  
Fax: +55 19 2103 2862  
latam.boschsecurity@bosch.com  
www.boschsecurity.com



Florida Department of Transportation

RICK SCOTT GOVERNOR

605 Suwannee Street Tallahassee, FL 32399-0450

JIM BOXOLD SECRETARY

May 5, 2015

Mr. Rick Jordak BOSCH Security Systems 850 Greenfield Road Lancaster, PA 17601

RE: Update of Certification Number 682-002-004 to Include VG5-ITS720P-30X4 and VG5-ITS1080P-30X4 series cameras.

Dear Mr. Jordak:

In compliance with Section 316.0745, Florida Statutes, the following products have been evaluated against the requirements of FDOT Specification 682 (FA 7-30-13), as documented in the evaluation report, approved, and placed on the Florida Department of Transportation's Approved Product List (APL).

Table with 3 columns: CERTIFICATION NUMBER, PRODUCT TYPE, MODEL. Row 1: 682-002-004, Camera - Dome, VG5 AutoDome Series

Table with 1 column: PRODUCT HEADING. Row 1: Bosch Security Systems, Camera - Dome

Table with 2 columns: LIMITATIONS, COMMENTS. Row 1: None, Model tested: VG5-ITS720P-30X4; Firmware Version: 5.92.0090

The APL is located online at: https://fdotwp1.dot.state.fl.us/ApprovedProductList. The online APL is the official listing of certified products. Always view the APL online for the most current product certification information.

This certification is not an endorsement of the product. Any modifications made to the device must be reviewed and approved by the Department prior to sale/use of the modified device. Failure to do so may cause removal of the device from the APL.

For questions regarding this certification, please contact Jeff Morgan at (850) 921-7354.

Sincerely,

Handwritten signature of Mark C. Wilson

Mark C. Wilson, P.E. Director, Office of Traffic Engineering and Operations

cc: DTOEs, DITSEs, STAT Members, CO-TERL